

130-686G190 LT-14 (1990)
Body Assembly

Page 2 of 22

Ref #	Part Number	Qty	S/P/F	Description
1	731-1036	1		Hood
2	710-0896	1	/P	Hex Wash. B-Tap Scr. 1/4 x .62" Lg.
3	726-0233	1	/P	Bolt Retainer 1/4" I.D.
4	736-0169	1	S	L-Wash. 3/8" I.D.
5	712-0798	1	/P	Hex Nut 3/8-16 Thd.
6	710-0224	1	S	Truss Mach. AB-Tap Scr. #10 x .5" Lg.
7	710-0200	1		Hex Wash Hd. AB-Tap Scr. #8 x .5" Lg.
8	16903	1	S	Hood Plate
	738-0141	1	S	Shld. Bolt .437" Dia.
10	723-0416	1		Screen
11	746-3022B	1	S	Choke Control 46" Lg.
14	16902	1		Hood Hinge
15	725-0963	1	S	Lamp
16	725-1058A	1	S	Twist Lock-Lamp Socket
17	777-8516	1		Reflector-Headlight
20	710-0118	1	S	Hex Bolt 5/16-18 x .75" Lg.
21	731-1037	1		Grille
22	17300	1		Dash Support Bracket
23	736-0119	1	S	L-Wash. 5/16" I.D.
24	712-0267	1	S	Hex Nut 5/16-18 Thd.
25	736-0176	1	S	FI-Wash. 1/41" I.D. x .93" O.D.
26	726-0240	1	S	Cable Tie
27	725-1430	1	S	12 Volt Battery
28	17620	1	S	Lower Frame
29	17621	1	S	Front Pivot Brk't.
30	16713A	1		Grille Mount Brk't.-L.H.
31	16712A	1		Grille Mount Brk't.-R.H.
32	710-0726	1	/P	Hex Wash. Hd. AB-Tap Scr. 5/16 x .75" Lg.
33	738-0526	1		Running Board Rod
34	17770	1	S	Running Board (R.H. & L.H.)
35	761-0168	1	S	Blade Brake Ass'y.
36	712-0287	1	S	Hex Nut 1/4-20 Thd.
37	736-0329	1	S	L-Wash. 1/4" I.D.
38	710-0323	1	/P	Truss Mach. Scr. 5/16-18 x .75" Lg.
40	710-0134	1	/P	Carr. Bolt 1/4-20 x .62"
41	17622	1	S	R.H. Side Frame
43	17325	1		Rear Fender
44	750-0755	1		Spacer .33" I.D. x .625" O.D.
45	710-0167	1	/P	Carriage Bolt 1/4-20 x .50" Lg.
46	736-0278	1		FI-Wash. .328" I.D. x .68" O.D.
47	17286	1	S	Transmission Panel
48	725-0759	1	S	Reverse Safety Switch
49	726-0279	1		Insulator Plate
50	17225	1		Hitch Plate
51	17623	1	S	L.H. Side Frame
52	750-0754	1		Shld. Spacer .33" I.D.
53	736-0142	1	S	FI-Wash. .281" I.D. x .5" O.D.
54	712-0158	1	S	Hex Cent. L-Nut 5/16-18 Thd.
55	17448	1		Side Cover-R.H.
	17447	1		Side Cover-L.H. (Not Shown)
56	710-1034	1		Double Ended Stud 1/4-20 Thd.
57	710-0971	1		Truss Hd. Scr. 5/16-18 x 1.0" Lg.
58	736-0607	1		FI-Wash. 1/4" I.D.

130-686G190 LT-14 (1990)
Body Assembly

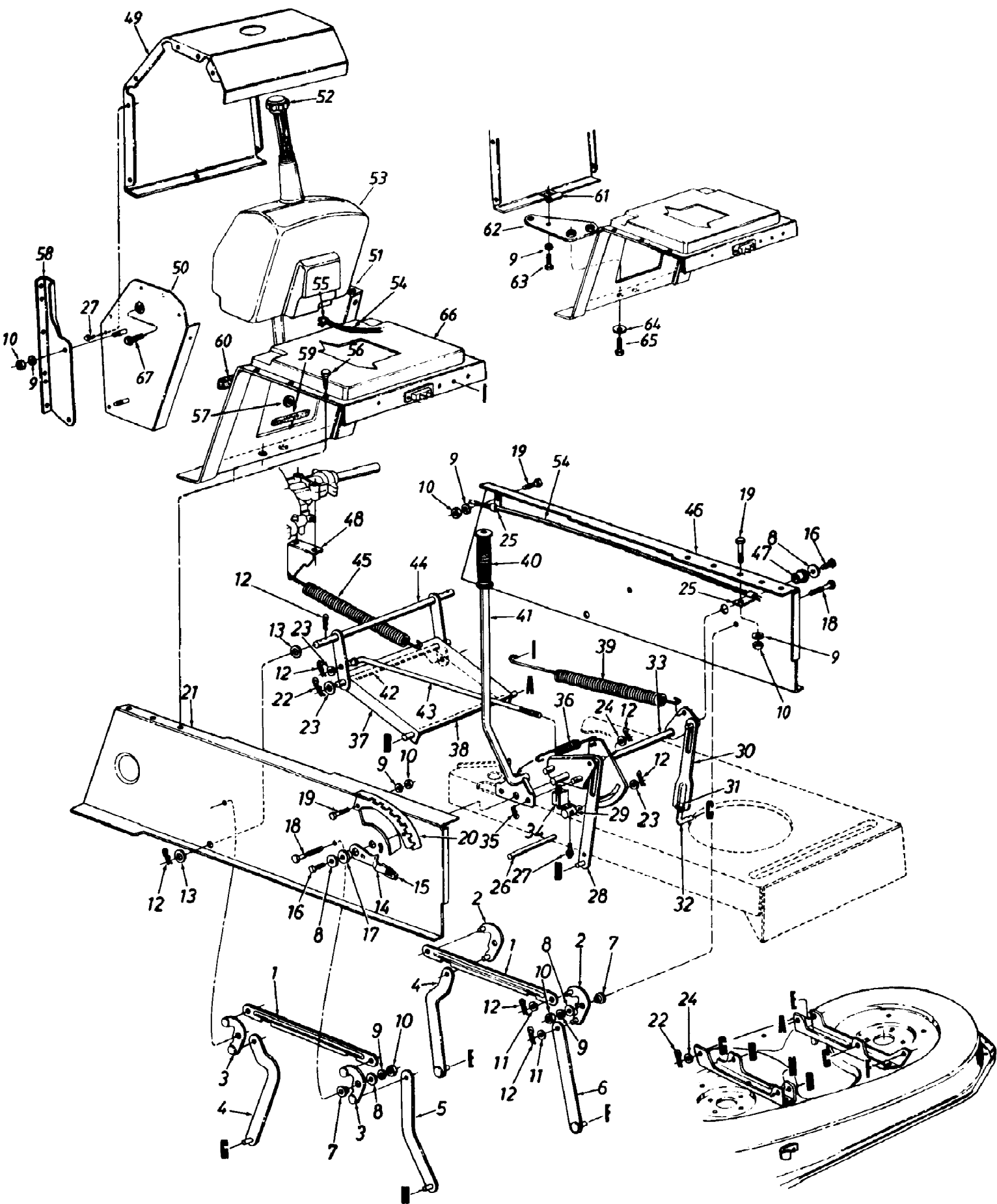
Page 3 of 22

Ref #	Part Number	Qty	S/P/F	Description
59	831-0823A	1	/P	Throttle Control Box Ass'y.
60	746-0634	1	S	Throttle Control Wire 35" Lg.
61	710-0258	1	S	Hex Bolt 1/4-20 x .62" Lg.
62	736-0173	1	/P	FI-Wash. .281" I.D. x .73" O.D.
63	725-1341B	1	/P	Ignition Key
64	725-1396	1	S	Ignition Switch
65	731-0956	1		Dash Panel
66	725-0634	1	S	Light Switch
67	725-0925	1	S	Ammeter
68	731-1038	1	S	Lens
69	725-1347	1	/P	Ignition Switch Cap
70	757-0338	1	S	Seat Ass'y.
71	730-3000	1	S	Reflector
72	726-0139	1	/P	Speed Nut #10Z
73	725-1346	1	S	Ignition Switch Nut
74	710-0779	1	S	Truss Mach. AB-Tap Scr. #10 x .5" Lg.
	710-0776	1	S	Hex AB-Tap Scr. 1/4 x .62" Lg.
76	731-0511	1	/P	Trim Strip-81
77	710-0642	1	/P	Hex Wash. Hd. Tap Scr. 1/4 x .75" Lg.
79	710-0227	1	/P	Hex Wash. Hd. AB-Tap Scr. #8 x .50" Lg.
80	712-0291	1	S	Hex L-Nut 1/4-20 Thd.
81	712-0113	1	S	Wing Nut 1/4-20 Thd.-Plastic
82	711-0222	1	S	Battery Hold Down Rod
83	731-1132	1		Battery Cover
84	732-0581	1	S	Ext. Spring 5.31" Lg.
85	17239A	1	S	Seat Lift Brkt.
89	738-0145	1	S	Shoulder Bolt
90	738-0296	1	S	Shld. Bolt .437" Dia. x .268"
91	17243	1		Seat Pivot Brkt. Support-L.H.
92	738-0155	1	S	Shld. Bolt .437" Dia. x .162"
93	17244	1		Seat Pivot Brkt. Support-R.H.
94	725-1303	1	S	Spring Switch
95	736-0141	1	S	Spr.-Wash..445" I.D.
96	710-0602	1	/P	Hex Wash. Hd. Tap Scr. 5/16-18x1" Lg.
97	736-0159	1	S	FI-Wash..344" I.D.
98	722-0160	1		Bushing
99	732-0588	1		Compression Spring
100	15607D	1	S	Seat Pivot Bracket
101	710-0623	1	/P	Hex Tap Scr. 3/8-16 x .75"
102	731-0873A	1		Utility Box
103	17633	1	S	Battery Bracket
104	731-0911	1		Foot Pad-L.H.
	731-0912	1		Foot Pad-R.H.
105	710-0599	1	/P	Hex Tap Scr. 1/4-20 x .5" Lg.
108	725-1439	1		Spring Switch
109	710-0351	1	/P	Truss Mach. Tap Scr. #10 x .5" Lg.
111	712-0185	1		Speed Nut 1/4-20 Thd.
113	710-0176	1	/P	Hex Bolt 5/16-18 x 2.75" Lg.
114	722-0199	1		Foam Seal
115	726-0271	1	S	Push Nut
118	726-0278	1		Insulator Boss Plate
119	710-0323	1	/P	Truss Mach. Scr. 5/16-18 x 75" Lg.
120	726-0222	1		Insulator Boss Plate

130-686G190 LT-14 (1990)
Deck Assembly

Page 5 of 22

Ref #	Part Number	Qty	S/P/F	Description
3	17600	1		42" Deck Ass'y.
	813-06119	1	S	42" Deck Ass'y. Comp. (For Service Only)
4	17664	1	S	Belt Guard Deck-L.H.
5	17665	1	S	Belt Guard Deck-R.H.
6	710-0152	1	S	Hex Bolt 3/8-24 x 1.0" Lg.
7	710-0599	1	/P	Hex Wash. Hd. TT-Tap Scr. 1/4-20 x .5" Lg.
8	710-0255	1	S	Truss Mach. Scr. 1/420 x .75"
9	710-0888	1	/P	Hex Bolt Special 5/16-24 x 1.0"
10	711-0792	1	S	Hinge Pin
11	712-0123	1	/P	Hex Nut 5/16-24 Thd.
	712-0138	1	S	Hex Nut 1/4-28 Thd.
13	712-0181	1	S	Hex Top L-Nut 3/8-16 Thd.
14	712-0287	1	S	Hex Nut 1/4-20 Thd.
17	734-0973	1	/P	Deck Wheel-5"
18	736-0105	1	/P	Bell-Wash. .40" I.D. x .88" O.D.
19	736-0119	1	S	L-Wash. 5/16" I.D.
20	736-0217	1	S	L-Wash. 3/8" I.D.-H.D.
22	738-0373	1	S	Shld. Bolt .498" Dia. x 1.53"
23	742-0499	1	S	High-Lift Blade
25	748-0300	1		Blade Adapter
	754-0371	1	S	V-Belt
27	736-0270	1	/P	Bell-Wash. 1/4" I.D.
28	09322	1		Brake Disc
33	710-0157	1	/P	Hex Bolt 5/16-24 x .75" Lg.
35	712-0318	1	/P	Hex Jam Nut 5/8-18 Thd.
37	736-0158	1	S	L-Wash. 5/8" I.D.
38	736-0119	1	S	L-Wash. 5/16" I.D.
39	717-0906	1	S	Blade Spindle Ass'y. Comp.
42	756-0556	1		5 5" Dia. Pulley
52	703-1693	1	S	Hinge Mtg. Brkt.
53	732-0602	1	S	Tcrsion Spring
54	726-0106	1	S	Push Nut
55	731-1032	1	S	Chute Ass'y. Comp.
56	710-0157	1	/P	Hex Bolt 5/16-24 x .75" Lg.
57	17493A	1	S	Deck Hanger Channel



130-686G190 LT-14 (1990)
Deck Lift Assembly

Page 7 of 22

Ref #	Part Number	Qty	S/P/F	Description
1	09735A	1		Connecting Rod
2	17640	1	S	Pivot Link Ass'y.-L.H.
3	17641	1		Pivot Link Ass'y.-R.H.
4	17710	1	S	Deck Hanger Link Ass'y.
5	14800A	1	S	Deck Hanger Link Ass'y.
6	14804A	1		Deck Hanger Link Ass'y.
7	748-0331	1	S	Shld. Spacer .318" I.D.
8	736-0231	1	S	FI-Wash. .344" I.D. x 1.125"
9	736-0119	1	S	L-Wash 5/16" I.D.
10	712-0267	1	S	Hex Nut 5/16-18 Thd.
11	736-0192	1	S	FI-Wash. .531" I.D. x .94" O.D.
12	714-0144	1	S	Cotter Pin 1/8" Dia.
13	736-0256	1	S	FI-Wash. .635" I.D. x 1.0 O.D.
14	732-0412A	1	S	Deck Lift-Down Stop (Incl. Ref. 15)
15	08540	1	/P	Knob
16	710-0604	1	S	Hex Wash. TT-Tap Scr. 5/16-18 x .75" Lg.
17	748-0176	1		Flange Brg. .63" I.D.
18	710-0650	1	/P	Hex Wash. TT-Tap Scr. 5/16-18 x.875" Lg.
19	710-0118	1	S	Hex Bolt 5/16-18 x .75" Lg.
20	17730	1	S	Index Brkt.
21	17622	1	S	Upper Frame-R.H.
22	714-0101	1	S	Inter. Cotter Pin 1/2" Dia.
23	736-0267	1	S	FI-Wash. .385" I.D. x .87" O.D.
24	736-0160	1	S	FI-Wash. .531" I.D. x .93" O.D.
25	726-0272	1	/P	Clamp
26	738-0526	1		Running Board Rod
27	710-0351	1	/P	Truss Mach. Scr. #10 x .5" Lg.
28	14802A	1	S	Link Deck Lift Ass'y.
29	711-0723A	1	S	Adj. Ferrule 3/8-24 Thd.
30	17712	1	S	Adj. Deck Lift Link
31	712-3029	1	/P	Hex Jam Nut 1/2-20 Thd. (Gr. 5)
32	711-0841	1	S	Lift Link Adjuster
33	17637	1		Lift Shaft Ass'y.
34	725-0803B	1	/P	Safety Switch (Deck)
35	714-0145	1	S	Inter. Cotter Pin 3/8" Dia.
36	732-0637	1	S	Extension Spring
37	17636	1	S	Stabilizer Bracket
38	738-0670	1	S	Shaft 1/2" Dia. x 10.28" Lg.
39	732-0638	1		Extension Spring
40	720-0233	1	S	Grip (Lift Handle)
41	17675	1	S	Deck Lift Handle Ass'y.
42	738-0669	1		Shaft 818" Dia. x 9.34" Lg.
43	747-0598	1		Disengagement Rod
44	17624	1	S	Stabilizer Shaft Ass'y.
45	732-0556	1	S	Extension Spring 7.58" Lg.
46	17623	1	S	Upper Frame-L.H.
47	741-0313	1	S	Flange Brg. .632" I.D.
48	17128	1	S	Spring Retainer Brkt.
49	16238	1		Gas Tank Housing
50	17082	1		Side Panel Ass'y.-R.H.
51	17083	1	S	Side Panel Ass'y.-L.H.
52	751-0226A	1	S	Gas Gauge
53	751-0530A			

130-686G190 LT-14 (1990)
Deck Lift Assembly

Page 8 of 22

Ref #	Part Number	Qty	S/P/F	Description
54	751-0535-46	1	S	Fuel Line
55	726-0205	1	/P	Hose Clamp
56	710-0726	1	/P	Hex Wash. AB-Tap 5/16 x 75" Lg.
57	735-0112	1		Rubber Grommet
58	17078A	1		Mtg. Brkt.-R.H. (Use w/Optional Grass Catcher)
	17077A	1		Mtg. Brkt.-L.H. (Use w/Optic Grass Catcher)
59	731-0511-5	1		Trim Strip
60	722-0157	1		Foam Strip
61	728-0211	1		Speed Nut
62	17166	1		Hitch Bar Ass'y.
63	710-0376	1	/P	Hex Bolt 5/16-18 x 1.0" Lg. (Gr. 5)
64	736-0105	1	/P	Bell-Wash. .38" I.D. x .88"
65	710-0623	1	/P	Hex Wash. Tap Scr. 3/8-16 x 75" Lg.
66	17226A	1		Hitch Plate
67	710-0653	1	/P	Hex Wash. Hd. Tap Scr. 1/4-20 x 88" Lg.

130-686G190 LT-14 (1990)
Drive Mounting Assembly

Page 10 of 22

Ref #	Part Number	Qty	S/P/F	Description
1		1		Engine
2	751-0470	1		Inlet Tube Ass'y.
3	751-0471	1		Formed Tube Ass'y.
4	712-0123	1	/P	Hex Nut 5/16-24 Thd.
5	736-0119	1	S	L-Wash. 5/16" I.D.
7	16875	1		Muffler Heat Shield
8	16876A	1		Front Heat Shield
9	751-0469	1		Muffler Ass'y. Comp.
10	710-0502A	1	/P	Hex L-Wash. Tap Scr. 3/8-16 x 1.5" Lg.
11	17620	1	S	Lower Frame Ass'y.
13	712-0287	1	S	Hex Nut 1/4-20 Thd.
14	736-0329	1	S	L-Wash. 1/4" I.D.
15	710-1012	1	/P	Rib Neck Bolt 5/16-24 x .84" Lg
16	16219A	1		Belt Guard Brkt. Ass y.
17	736-0242	1	/P	Bell-Wash. .345" I.D. x .88"
18	712-0267	1	S	Hex Nut 5/16-18 Thd.
19	710-0190	1	/P	Hex Bolt 5/16-18 x 4.0"
20	714-0114	1	S	Sq. Key 1/4" x 1/4" x 2.00"
21	756-0530	1		Engine Pulley
22	736-0322	1	/P	FI-Wash. 7/16" I.D. x 1.25"
23	736-0171	1	S	L-Wash. 7/16" I.D.
24	710-0757	1	/P	Hex Bolt 7/16-20 x 1.50" Lg.
25	754-0280	1	S/F	Variable-Speed Belt
26	710-0118	1	S	Hex Bolt 5/16-18 x .75" Lg.
27	16553	1		Bearing Shaft Bracket Ass'y.
28	741-0295	1	S	Flanged Nyliner Brg. 5/8" I.D. x .88" Lg.
29	712-0241	1	/P	Hex Nut 3/8-24 Thd.
30	17643	1	S	Idler Bracket
31	736-0169	1	S	L-Wash. 8/18" I.D.
32	712-0241	1	/P	Hex Nut 3/8-24 Thd.
33	17629	1	S	Transaxle Support Brkt.
34	732-0556	1	S	Ext. Spring .94" O.D. x 7.58"
35	714-0149B	1	S	Inter. Cotter Pin
36	750-0802	1		Spacer.63" I.D.
37	714-0507	1	S	Cotter Pin 3/32" Dia. x .75"
39	712-0138	1	S	Hex Nut 1/4-28 Thd.
40	751-0472	1		Exhaust Muffler Sub. Ass'y.
43	710-0599	1	/P	Hex Wash. Hd. S-Tap Scr. 1/4-20 x .50" Lg.
44	17715	1		Clutch/Brake Pedal Ass'y.
45	736-0117	1	S	FI-Wash.
46	710-0351	1	/P	Truss Mach. Scr. B-Tap Scr. #10 x .5" Lg.
47	17686	1		Brake Rod Ass'y.
48	735-0196	1	S	Foot Pad
51	17705	1	/P	Shift Lever Ass'y.
52	710-0559	1		Hex Bolt 1/4-28 x 1.75" Lg.
53	732-0264	1	S	Ext. Spring .38" O.D. x 2.5"
54	732-0413	1	S	Ext. Spring .59" O.D. x 7.08"
55	710-0176	1	/P	Hex Bolt 5/16-18 x 2.75"
56	734-1675	1		Wheel Ass'y. Comp.
	734-1596	1		Tire Only
57	734-0603A	1	S	Wheel Rim Only
58	734-0255	1	S	Air Valve (Service Only)
59	710-0627	1		Hex Bolt 1/4-28 x .75" Lg.

130-686G190 LT-14 (1990)
Drive Mounting Assembly

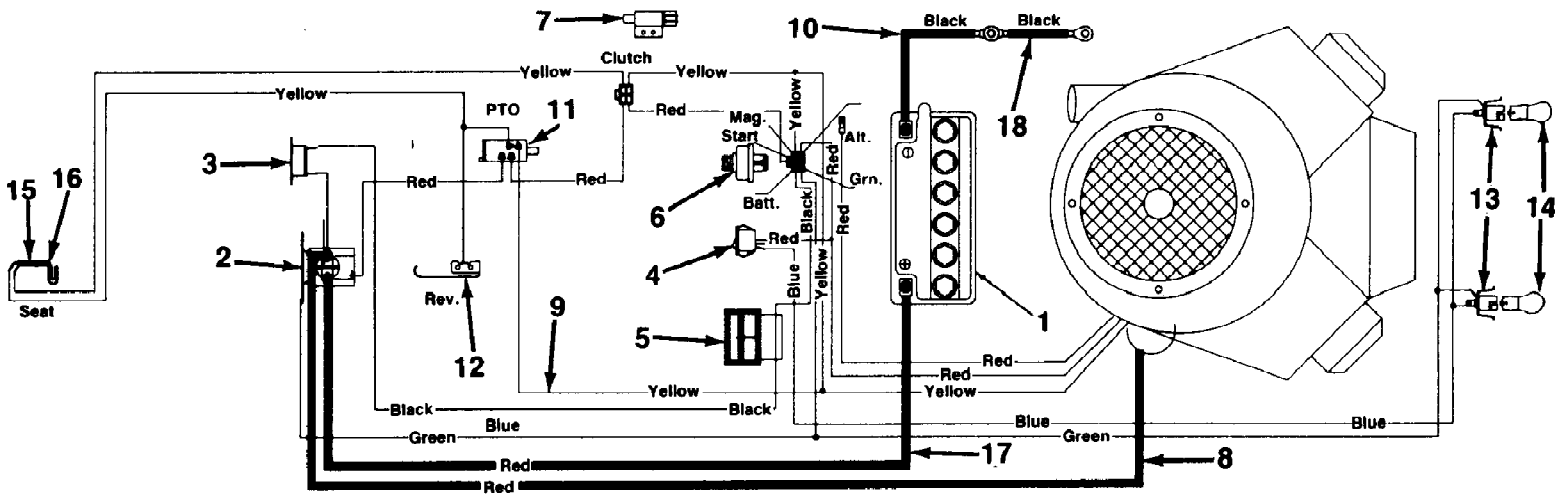
Page 11 of 22

Ref #	Part Number	Qty	S/P/F	Description
60	717-0542	1	S	Transaxle Complete
61	732-0454	1	S	Brake Return Spring Anchor
62	711-0768	1	S	Belt Guard Pin 1/4-20 Thd.
63	736-0275	1	S	FI-Wash. .34" I.D. x .68" O.D.
64	710-0428	1		Hex Bolt 1/4-28 x 1.25" Lg.
65	732-0568	1	S	Ext. Spring
66	732-0384	1	S	Ext. Spring .62" O.D. x 6.12"
67	16554A	1	S	Variable Speed Torque Brkt. Ass'y.
68	741-0419	1		Flanged Bearing
69	714-0507	1	S	Cotter Pin 3/32" Dia.
70	748-0234	1	/P	Shoulder Spacer .27" Lg.
71	747-0530	1	S	Speed Control Link
72	741-0405	1	S	Truss Bearing .56 Dia. x 1 .25"
73	720-0232	1	S	Shift Knob
74	756-0437	1	S	FI-Idler Pulley 3.25" x .75"
75	756-0557	1		1/2"V"-Pulley
76	736-0921	1	S	L-Wash. 1/2" I.D.
77	712-0922	1	/P	Hex Jam Nut 1/2-20 Thd.
78	710-0539	1	/P	Hex Bolt 3/8-24 x 1.75" Lg.
79	754-0370	1	S/F	Variable Speed Belt
80	716-0114	1	S	Snap Ring .56" Dia.
81	736-0355	1	/P	FI-Wash.
82	717-0800	1	S	Variable Speed Pulley Ass'y. 5" O.D.
83	721-0218	1	S	Gasket
84	16354B	1	S	Variable Speed Brkt. Ass'y.
85	732-0525	1		Comp. Spring-Clip
86	17668	1	S	Axle Support Brkt.-R.H.
	17669	1	S	Axle Support Brkt.-L.H. (Not Shown)
88	725-1426	1	S	Solenoid
89	17630	1	S	Shift Lever Bracket
90	736-0414	1	S	Teflon Washer .565" I.D.
91	725-0459	1	S	Circuit Breaker
93	725-3169	1	S	Safety Switch (Clutch)
94	738-0755	1	S	Shld. Bolt 3/8-24 x 3.12" Lg.
97	736-0105	1	/P	Bell-Wash. .38" I.D. x .88"
98	738-0569	1	S	Shaft .56" Dia. x 3.875" Lg.
99	736-0331	1	/P	Bell-Wash. .39" I.D. x 1.12"
100	736-0256	1	S	FI-Wash. .64" I.D. x .94"
101	714-0111	1	S	Cotter Pin 3/32" Dia. x 1.0"
102	710-0604	1	S	Hex Wash. Hd. Scr. 5/16-18 x.62" Lg.
105	16067	1		Belt Guard
106	710-0323	1	/P	Truss Mach. Scr. 5/16-18 x .75" Lg.
107	15835A	1		Pedal Bracket
108	714-0507	1	S	Cotter Pin 3/32" Dia. x .75"
109	711-0198	1	S	Ferrule
110	710-0376	1	/P	Hex Bolt 5/16-18 x 10" Lg.- (Gr. 5)
111	710-0195	1	S	Hex Bolt 1/4-28 x 50" Lg.
112	736-0270	1	/P	Bell-Wash. .265" I.D. x .75"
113	17707	1		Shift Lever Link Ass'y.
114	16877	1		Front Heat Shield Ext.
115	736-0140	1	S	FI-Wash. .385" I.D. x .62"
116	741-0404	2	S	Needle Brgs.
119	710-0427			Hex Bolt 1/4-28 x 1.25" Lg.

130-686G190 LT-14 (1990)
Drive Mounting Assembly

Page 12 of 22

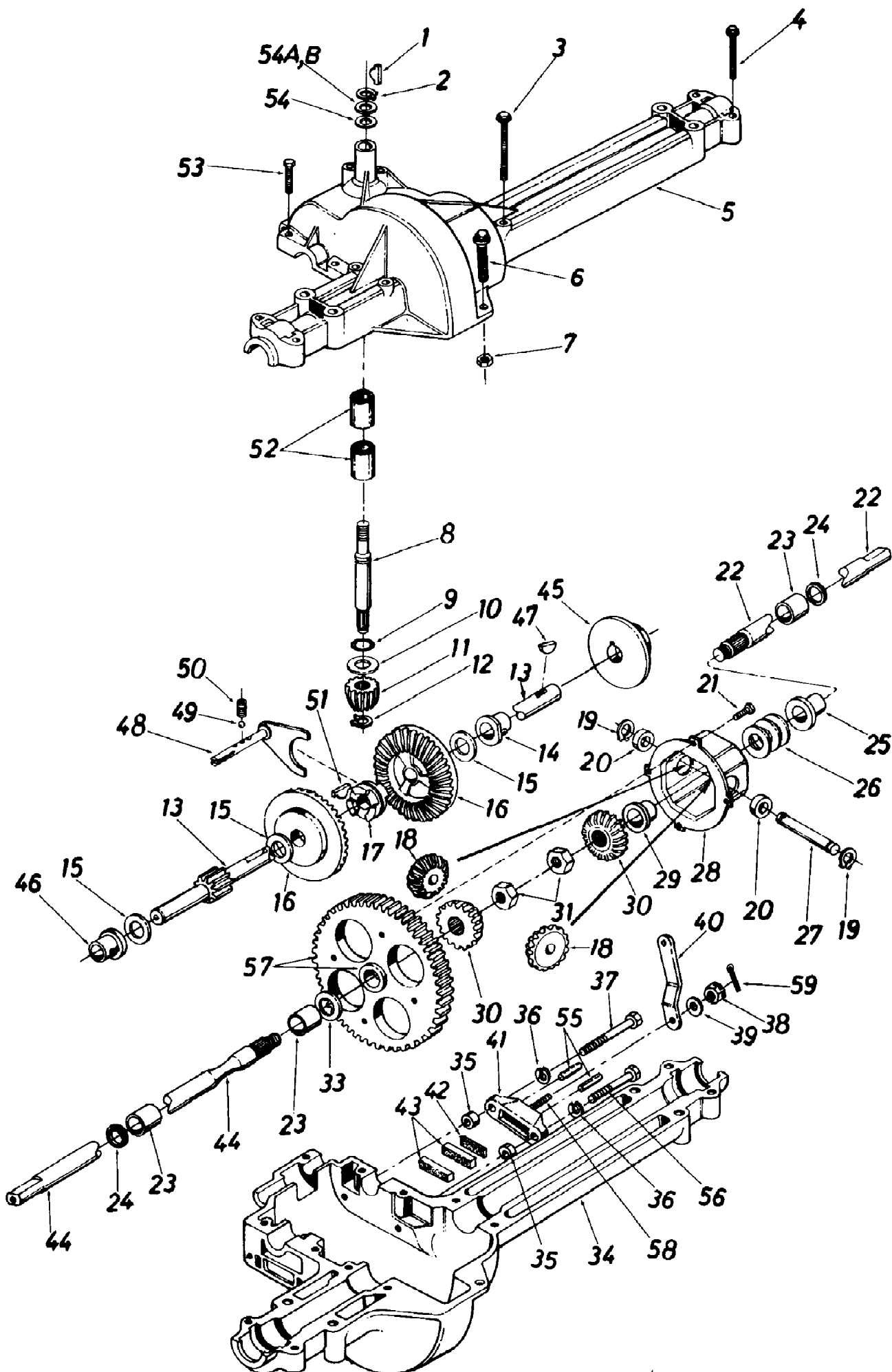
Ref #	Part Number	Qty	S/P/F	Description
120	756-0217	1	S	FI-Idler w/Flanges 2.75" O.D.
121	736-0280	1		FI-Wash. .39" I.D. x 1.12" O.D.
122	712-0798	1	/P	Hex Nut 3/8-16 Thd.
123	710-0258	1	S	Hex Bolt 1/4-20 x .62" Lg.
124	16181	1		Spring Hanger Brkt.
125	710-1037	1		Hex Bolt w/Washer
126	727-0434	1		Oil Drain
128	737-0143	1	S	Cap Oil Drain
129	726-3009	1		Clamp
130	712-0147	1	/P	Speed Nut #10-24 Thd.
131	710-0224	1	S	Hex AB-Tap Scr. #10 x .5" Lg.
132	726-0175	1	/P	Clamp
133	710-1063	1		Hex Cap Scr. M6 x 17 MM
134	726-0240	1	S	Cable Tie
135	726-0207	1		Hose Clamp
136	734-1504	1	S	Hub Cap
137	727-0425	1	S	Spring Clip



130-686G190 LT-14 (1990)
Electrical System

Page 14 of 22

Ref #	Part Number	Qty	S/P/F	Description
1	725-1430	1	S	Battery-1 2V
2	725-1426	1	S	Solenoid
3	725-1382	1	/P	Circuit Breaker
4	725-0634	1	S	Light Switch
5	725-0925	1	S	Ammeter
6	725-1396	1	S	Ignition Switch (Clutch)
7	725-3169	1	S	Safety Switch
8	725-1081	1	S	Electric Wire-30.0" Lg.
9	725-1510	1		Wire Harness
10	725-0977	1	S	Ground Wire-11.5" Lg.
11	725-0803B	1	/P	Safety Switch (Deck)
12	725-0759	1	S	Safety Switch (Reverse)
13	725-1058A	1	S	Headlight Socket
14	725-0963	1	S	Headlight Bulb
15	725-1303	1	S	Safety Switch (Seat)
16	725-1439	1		Safety Switch (Seat)
17	725-1080	1		Electric Wire-27" Lg.
18	725-0980	1		Ground Wire-7.5" Lg.



130-686G190 LT-14 (1990)
Single Speed Transaxle Right Hand

Page 16 of 22

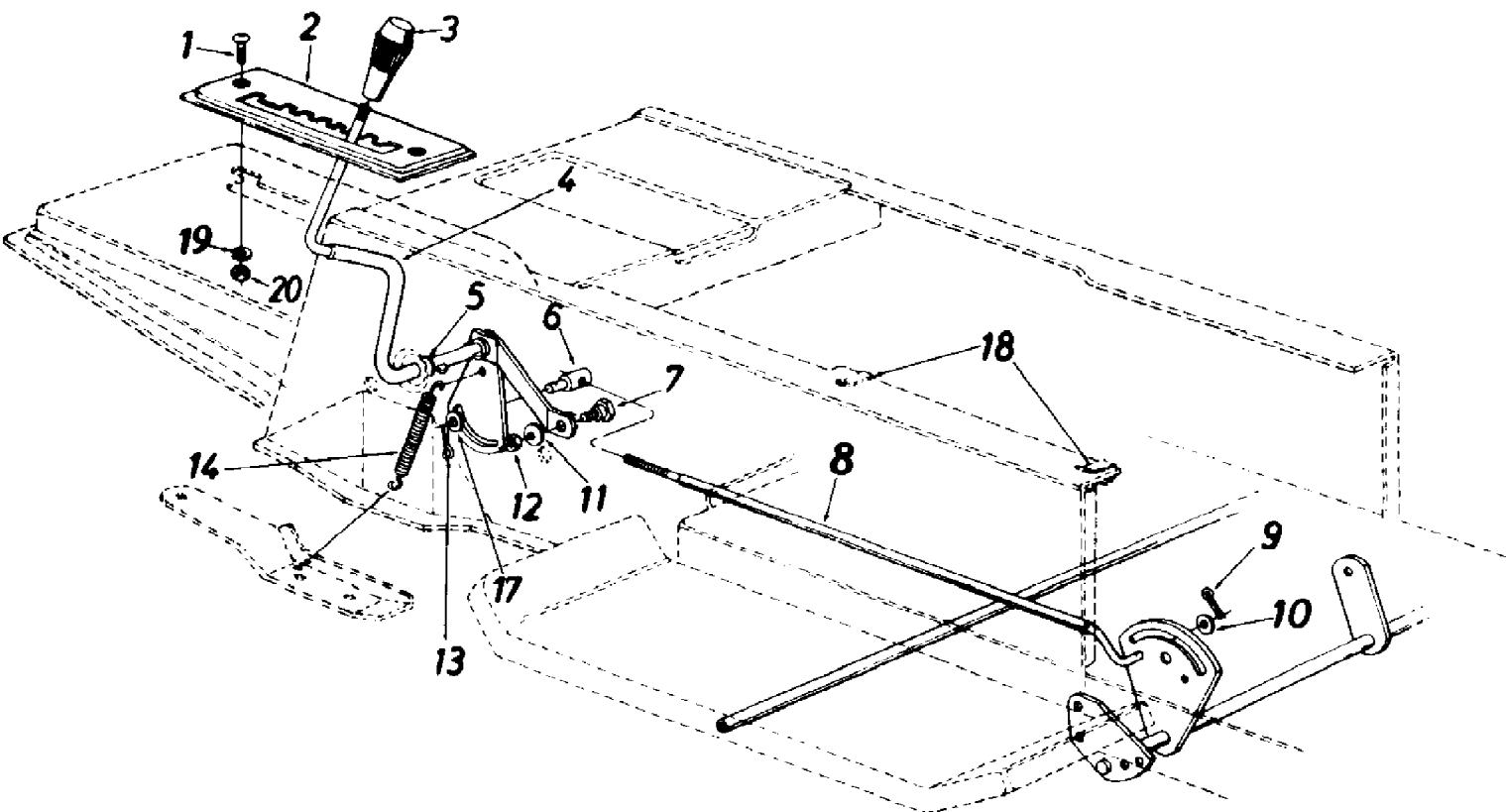
Ref #	Part Number	Qty	S/P/F	Description
1	714-0129	1	S	#4 Hi-Pro Key 3/32 x 5/8" Dia.
2	716-0115	1	S	Snap Ring .625" Shaft
3	710-0854	1	S	Hex Bolt 1/4-20 x 1.75" Lg.
4	710-0809	1		Hex Bolt 1/4-20 x 1.25" Lg.
5	717-0540	1	/P	Upper Housing
6	710-0642	1	/P	Hex FI-Bolt 1/4-20 x .75" Lg.
7	712-0287	1	S	Hex Nut 1/4-20 Thd.'
8	717-0634	1	S	Input Shaft
9	721-0178	1	S	Square Seal 5/8" I.D.
10	736-0335	1	S	Thrust Washer 5/8" I.D. x 1.25" O.D.
11	717-0633	1	S	Pinion Input 14T
12	716-0108	1	S	Retaining Ring 7/16" Ext.
13	717-0758	1	S	Drive Shaft-R.H.
14	741-0336	1	S	Flange Brg. 5/8" I.D. x 3/4" Lg.*
15		1		FI-Wash.
	736-0349	1	S	FI-Wash. 5/8" I.D. x 1.0" O.D. x .020 Thk.
	736-0336	1	S	FI-Wash. 5/8" I.D. x 1.0" O.D. x .030 Thk.
	736-0337	1	S	FI-Wash. 5/8" I.D. x 1.0" O.D. x .040 Thk.
16	717-0757	1		Bevel Gear 42T
17	717-0667	1	S	Clutch Collar
18	717-1020	1	/P	Miter Gear 15T
19	716-0142	1	S	Snap Ring
20	717-0690	1	S	Thrust Bearing 1/2" I.D. x 1.0" O.D.
21	710-0862	1	S	Pan Head Scr. 1/4-20 x .50" Lg. w/Patch
22	717-0537	1		Axle R.H.
23	741-0340	1	S	Sleeve Bearing 3/4" I.D. x 1.0" Lg.
24	721-0179	1	S	Oil Seal 3/4" I.D.
25	741-0339	1	S	Flange Bearing 3/4" I.D. x 15/16" Lg.
26	736-0188	1	/P	FI-Wash. .760" I.D. x 1.49" O.D.
27	717-0673	1	S	Cross Shaft
28	717-0777	1	S	Differential Housing Ass'y.
29		1		Comes with Ref. 28
30	717-1019	1	S	Miter Gear
31	712-0200A	1	/P	Hex Ins. L-Nut 1/2-20 Thd.
33	736-0351	1	S	FI-Wash. .75" I.D. x 1.5" O.D.
34	717-0541	1	S	Lower Housing
35	750-0555	1		Spacer .53" O.D. x 3/8" Lg.
36	736-0329	1	S	L-Wash. 1/4" I.D.
37	710-0886	1	S	Hex Bolt 1/4-20 x 1.50" Lg. (Grade 5)
38	712-0335	1	S	Castle Nut 5/16-24 Thd.
39	736-0371	1	/P	FI-Wash. .34" I.D. x .875" O.D.
40	717-0700	1	/P	Actuating Arm-R.H.
41	717-0679	1		Brake Yoke
42	717-0682	1	S	Puck Plate
43	717-0678	1	S	Brake Puck
44	717-0536	1		Axle L.H.
45	717-0677	1	/P	Brake Disc
46	741-0337	1	S	Flange Bearing 5/8" I.D. x 15/16" Lg.
47	714-0161	1	S	Woodruff Key 3/16 x 5/8 HT
48	717-0754	1	S	Shift Fork Ass'y.
49	741-0862	1	/P	Ball Detent 250" Dia.
50	732-0863	1	S	Spring Detent
51	714-0169			Woodruff Key 3/16 x 3/4" Dia. HT

130-686G190 LT-14 (1990)
Single Speed Transaxle Right Hand

Page 17 of 22

Ref #	Part Number	Qty	S/P/F	Description
52	741-0335	1	S	Needle Brg. 5/8" I.D. x 1/2"
53	710-0855	1	S	Hex Bolt 1/4-20 x 1.00" Lg.
54	736-0336	1	S	Fl-Wash. 5/8" I.D. x .030
54A	736-0337	1	S	Fl-Wash. 5/8" I.D. x .040
54B	736-0349	1	S	Fl-Wash. 5/8" I.D. x .020
55	741-0343	1	S	Actuating Pin 5/16" Dia.
56	710-0886	1	S	Hex Bolt 1/4-20 x 1.50" Lg. (Grade 5)
57	717-0767	1	S	Differential Gear 72T Ass'y. w/Bearing
58	717-0796	1	/P	Sq. Hd. Bolt 5/16-24 Thd.
59	1544-013	1	S	Cotter Pin 3/32" Dia. x .50 Lg.
	737-0148	1	S	Grease-Shell (10 oz.)

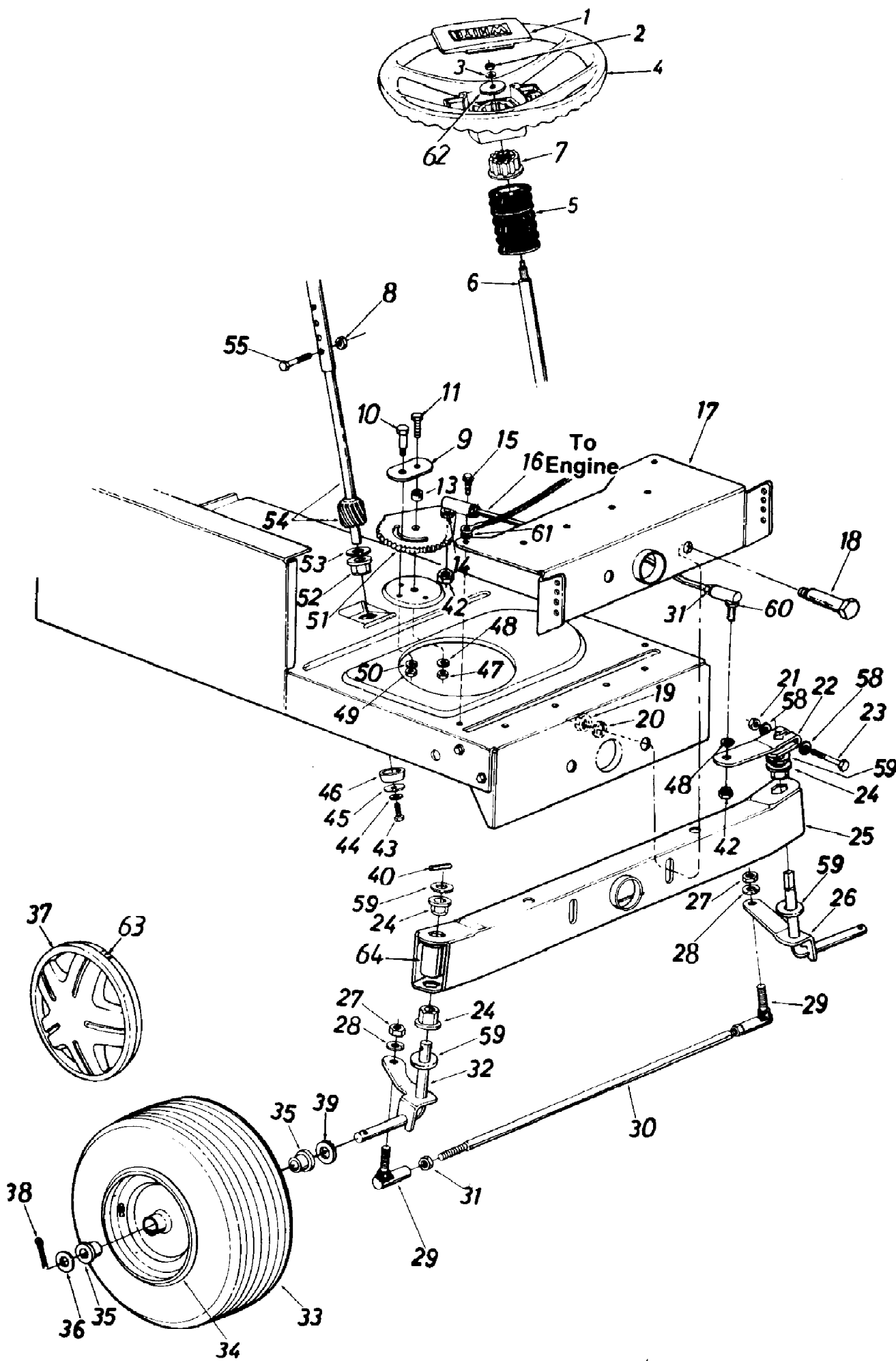
130-686G190 LT-14 (1990)
Speed Selector Assembly



130-686G190 LT-14 (1990)
Speed Selector Assembly

Page 19 of 22

Ref #	Part Number	Qty	S/P/F	Description
1	710-0924	1	/P	Truss Mach. Scr. 1/4-20 x .75" Lg.
2		16194		7 0 Speed Selector Plate
3	720-0218	1	/P	Shift Knob
4	16192A	1	/P	Speed Selector Cam Ass'y.
5	736-0192	1	S	Flat Washer .53" I.D. x .93"
6	711-0198	1	S	Ferrule 3/8-24 x .37" Dia.
7	738-0155	1	S	Shoulder Bolt
8	747-0503A	1		Speed Control Link
9	714-0507	1	S	Cotter Pin 3/32" Dia. x .75"
10	736-0226	1	S	FI-Wash. .469" I.D. x .88"
11	736-0119	1	S	L-Wash. 5/16" I.D.
12	712-0267	1	S	Hex Nut 5/16-18 Thd.
13	714-0507	1	S	Cotter Pin 3/32" Dia. x .75"
14	732-0303	1	S	Spring .38" O.D. x 3.18" Lg.
17	736-0140	1	S	FI-Wash. .385" I.D. x .62"
18	726-0235	1		Speed Clip
19	736-0329	1	S	L-Wash. 1/4" I.D.
20	712-0287	1	S	Hex Nut 1/4-20 Thd.



130-686G190 LT-14 (1990)
Steering Assembly

Page 21 of 22

Ref #	Part Number	Qty	S/P/F	Description
1	731-1039	1		Steering Wheel Insert
2	712-0237	1	S	Hex L-Nut 5/16-24 Thd.
3	736-0242	1	/P	Belleville Wash. .345" I.D.
4	731-0971	1		Steering Wheel
5	731-0954	1	S	Steering Bellow
6	16512	1		Steering Column Ass'y.
7	717-0935	1		Steering Wheel Adapter
8	712-0324	1	/P	Hex Nut 1/4-20 Thd.
9	17198	1	S	Retainer Plate
10	738-0141	1	S	Shoulder Bclt .437" Dia. x .35" Lg. 5/16-1& Thd.
11	710-0152	1	S	Hex Bolt 3/8-24 x 1.0" Lg. (Grade 5)
13	750-0535	1	S	Spacer .380" I.D. x .625" O.D. x .227"
14	736-0169	1	S	L-Wash. 3/8" I.D.
15	710-0726	1	/P	Hex Wash. Hd. Self-Tap Scr.
16	711-0788	1	S	Steering Drag Link
17	17621	1	S	Front Pivot Brkt.
18	738-0527	1	S	Shoulder Bolt .498" Dia. x 2 04" Lg. 3/8-16 Thd.
19	712-0798	1	/P	Hex Nut 3/8-16 Thd.
20	736-0169	1	S	L-Wash. 3/8" I.D.
21	712-0237	1	S	Hex Cent. L-Nut 5/16-24 Thd.
22	16481	1	S	Steering Arm Front Axle
23	710-0772	1	/P	Hex Bolt 5/16-24 x 2.00" Lg. (Grade 5)
24	741-0225	1	S	Hex Flg. Brg. .634" I.D.
25	14608	1	S	Pivot Bar Ass'y.
26	17753	1	S	Front Axle Ass'y.-L.H.
27	712-0241	1	/P	Hex Nut 3/8-24 Thd.
28	736-0169	1	S	L-Wash. 3/8" I.D.
29	723-3018	1	S	Ball Joint 3/8-24 Thd.
30	747-0753	1		Tie Rod
31	712-0711	1	/P	Hex Jam Nut 3/8-24 Thd.
32	17754	1	S	Front Axle Ass'y.-R.H.
33	734-1619	1	S/F	Wheel Ass'y. Comp.
	734-0864	1	/P/F	Tire Only
34	734-0997A	1	S	Front Wheel Rim Only
	734-0255	1	S	Air Valve
	737-0146	1	S	Grease Fitting
35	741-0353	1	S	Flange Bearing (Bronze)
36	736-0285	1	/P	FI-Wash. .635" I.D. x 1.59" O.D.
37	734-1503	1	S	Hub Cap
38	714-0470	1	S	Cotter Pin 1/8" Dia. x 1.25" Lg.
39	736-0187	1	/P	FI-Wash. .640" I.D. x .24" O.D.
40	715-0150	1	/P	Spring Roll Pin
42	712-0711	1	/P	Hex Jam Nut 3/8-24 Thd.
43	710-0538	1	/P	Hex L-Bolt 5/16-18 x .62"t
44	736-0119	1	S	L-Wash. 5/16" I.D.
45	736-0343	1	/P	FI-Wash. .33" I.D. x 1.25" O.D.
46	750-0532	1	S	Spacer (Plastic)
47	712-0241	1	/P	Hex Nut 3/8-24 Thd.
48	736-0169	1	S	L-Wash. 3/8" I.D.
49	712-0267	1	S	Hex Nut 3/8-24 Thd.

130-686G190 LT-14 (1990)
Steering Assembly

Page 22 of 22

Ref #	Part Number	Qty	S/P/F	Description
50	736-0119	1	S	L-Wash. 5/16" I.D.
51	717-0622	1	S	Steering Gear Segment
52	741-0225	1	S	Hex Flg. Brg. .634 I.D.
53	736-0187	1	/P	FI-Wash. (Hardened)
54	738-0522A	1	/P	Steering Shatt Lower
55	710-0958	1	/P	Hex Bolt 1/4-20 x 1.31" Lg.
	710-0837	1		Oval Hd. Cr-Sunk Scr. #10 x 5/8" Lg.
58	736-0271	1	S	Wave Wash. .32" I.D. x .62"
59	736-0187	1	/P	FI-Wash. (Hardened)
60	723-3018	1	S	Drag Link Ball Joint 3/8-24 Thd.
61	736-0607	1	/P	Ext. L-Wash. 5/16" I.D.
62	736-0418	1	S	FI-Washer
63	727-0425	1	S	Spring Clip
64	731-1134	1		Plastic Tube